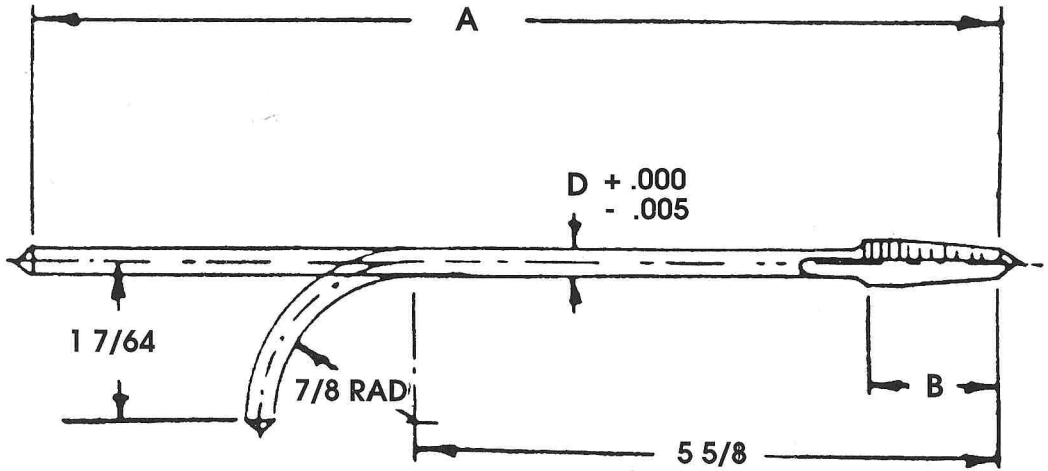


TABLE 321B
Bent Shank Tapper Taps
For MAS-8 Nutap Tappers

Machine Screw Sizes



General Dimensions

Diameter of Tap (Inches)	Threads Per Inch		Dimensions - Inches		
	UN UNC	UF UNF	A	B	D
#4 (.112)	40	$7^{17/64}$	$21/32$.080
	48	$7^{17/64}$	$9/16$.085
#5 (.125)	40	$7^{17/64}$	$21/32$.093
	44	$7^{17/64}$	$19/32$.095
#6 (.138)	32	$7^{17/64}$	$13/16$.095
	40	$7^{17/64}$	$21/32$.104
#8 (.164)	32	$7^{9/32}$	$13/16$.121
	36	$7^{9/32}$	$3/4$.126
#10 (.190)	24	$7^{9/32}$	$1^1/8$.134
	32	$7^{9/32}$	$13/16$.147
#12 (.216)	24	$7^{9/32}$	$1^1/8$.157
	28	$7^{9/32}$	$15/16$.165