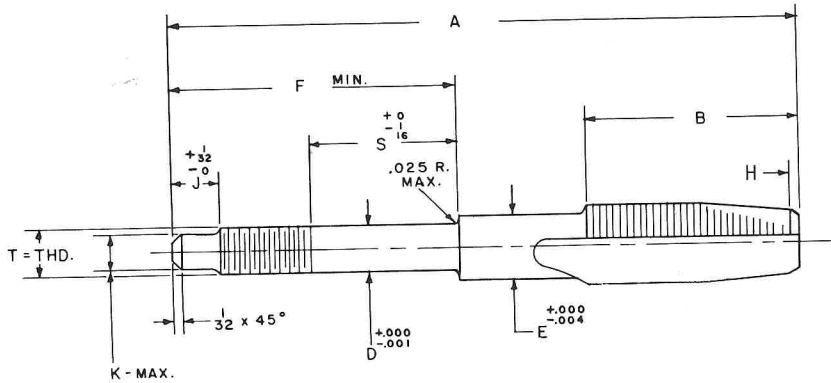


Table 44C

BENT SHANK TAPPER TAPS

Sectional Screw Type for MA-4 Nutap Tapper
(concluded)



GENERAL DIMENSIONS — NIBS

Diam. of Tap Inches	THREADS PER INCH		DIMENSIONS — INCHES									
	NC UNC	NF UNF	A	B	D	E	F	H	J	K	S	T (NF)
5/8	11	4 ¹ / ₆₄	1 ²⁵ / ₃₂	.375	.507	1 ¹⁷ / ₃₂	1/8	3/32	.310	3/4	3/8-24
5/8	18	3 ⁴¹ / ₆₄	1/8	.375	.553	1 ¹⁷ / ₃₂	1/8	7/32	.310	3/4	3/8-24
3/4	10	4 ²⁹ / ₆₄	1 ¹⁵ / ₁₆	.4375	.620	1 ¹⁷ / ₃₂	1/8	1 ⁵ / ₆₄	.365	3/4	7/16-20
3/4	16	3 ⁴⁹ / ₆₄	1/4	.500	.669	1 ¹⁷ / ₃₂	1/8	1 ⁵ / ₆₄	.425	3/4	1/2-20
7/8	9	4 ⁶³ / ₆₄	2 ¹¹ / ₃₂	.5625	.731	1 ¹⁷ / ₃₂	1/8	1/4	.480	3/4	9/16-18
7/8	14	4 ¹³ / ₆₄	1/16	.625	.782	1 ¹⁷ / ₃₂	1/8	1/4	.540	3/4	5/8-18
1	8	5 ¹⁷ / ₆₄	2 ³ / ₈	.625	.838	1 ¹⁷ / ₃₂	1/8	1/4	.540	3/4	5/8-18
1	12	4 ²⁹ / ₆₄	1 ¹³ / ₁₆	.625	.892	1 ¹⁷ / ₃₂	1/8	1/4	.540	3/4	5/8-18
1 1/8	7	6 ⁵ / ₆₄	3 ¹ / ₁₆	.750	.939	1 ²⁵ / ₃₂	3/16	9/32	.660	7/8	3/4-16
1 1/8	12	4 ⁵⁷ / ₆₄	1/8	.750	1.017	1 ²⁵ / ₃₂	3/16	9/32	.660	7/8	3/4-16
1 1/4	7	6 ⁵ / ₆₄	3 ¹ / ₁₆	.875	1.064	1 ²⁵ / ₃₂	3/16	2 ¹ / ₆₄	.770	7/8	7/8-14
1 1/4	12	4 ⁵⁷ / ₆₄	1/8	.875	1.142	1 ²⁵ / ₃₂	3/16	2 ¹ / ₆₄	.770	7/8	7/8-14