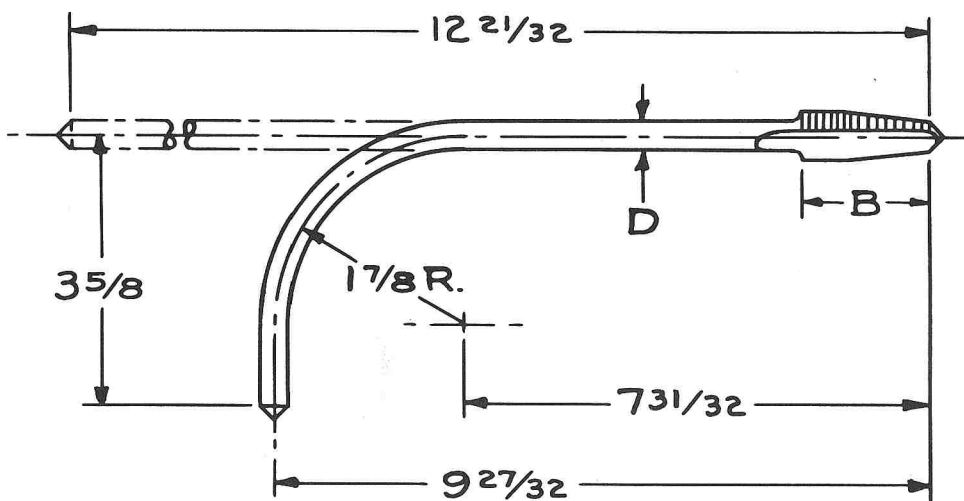


# Table 39

## BENT SHANK TAPPER TAPS

For National Twin Tapper  
Fractional Sizes—3 Flutes



### GENERAL DIMENSIONS

Diameter of Tap Inches	THREADS PER INCH		DIMENSIONS — INCHES	
	NC UNC	NF UNF	B	D
1/4	20	....	1 1/2	.180
1/4	....	28	1 1/2	.194